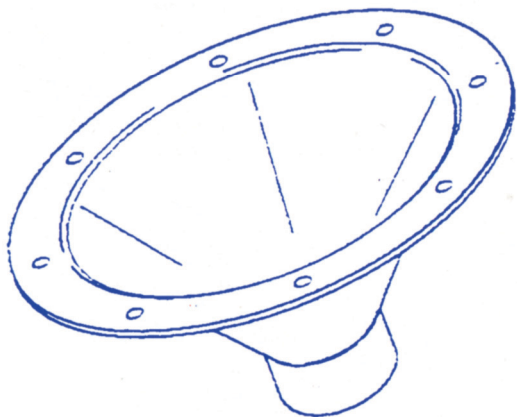




TORNADOTM

— THE KING OF RAIN HEADS —



The No. 1 PVC Rain Head in Australia

Today's technology...
...tomorrow's future.



PROUD TO BE AUSTRALIAN

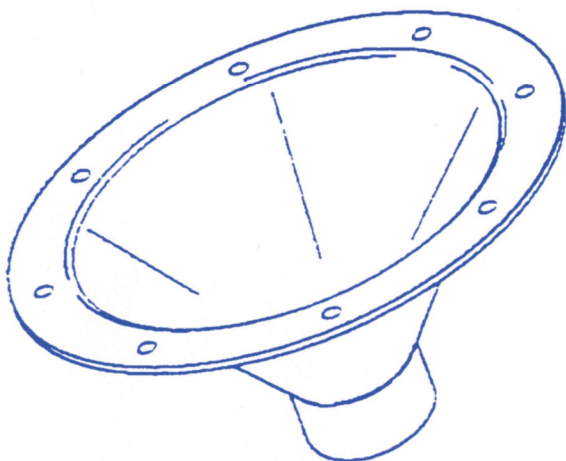
Tornado Rain Head Pty Ltd.
13 Sandra Place
Welshpool WA 6106

Ph: (08) 9362 1022 Fax: (08) 9362 1044

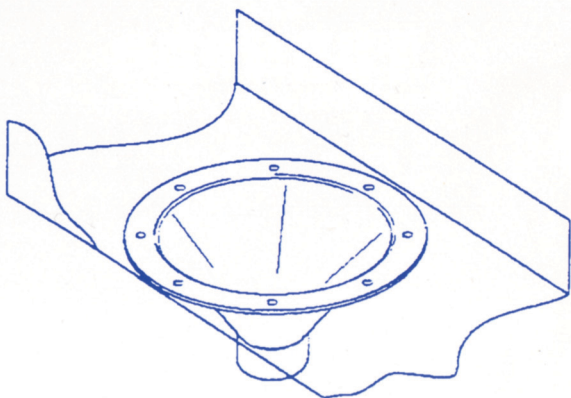


TORNADO™

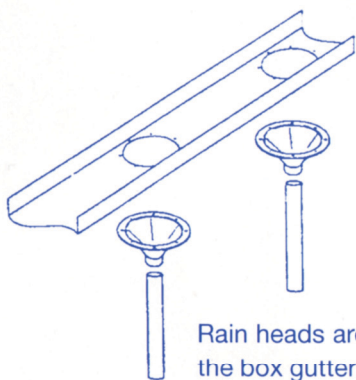
— THE KING OF RAIN HEADS —



- 4mm Polypropylene plastic
- Made of Recyclable Plastic
- All one piece
- 3/16 Waterproof Pop rivets
- No Rust Corrosion
- Outlasts Existing Rain Heads
- Silicone seal



Rain heads are to suit 380mm box gutters up to 900mm wide. There is no lip on the inside of the box gutter to restrict water flow and the rain head cleans debris from inside the box gutter. Gutter cleans are a lot less frequent.



Rain heads are installed from underneath the box gutters. The hole is created in the box gutter; either by a pair of snips, a hole saw or a jigsaw. Rain heads take 100mm and 150mm DWV PVC pipe .

The No. 1 PVC Rain Head in Australia



Tornado Rain Head Pty Ltd.
13 Sandra Place
Welshpool WA 6106

RAIN HEAD INSTALLATION

Install 100mm PVC downpipe
no bends inside eaves,
exposed outside of soffit.
Less bends, easy water flow
and less blockages.

300mm x 100mm

300mm x 150mm

